

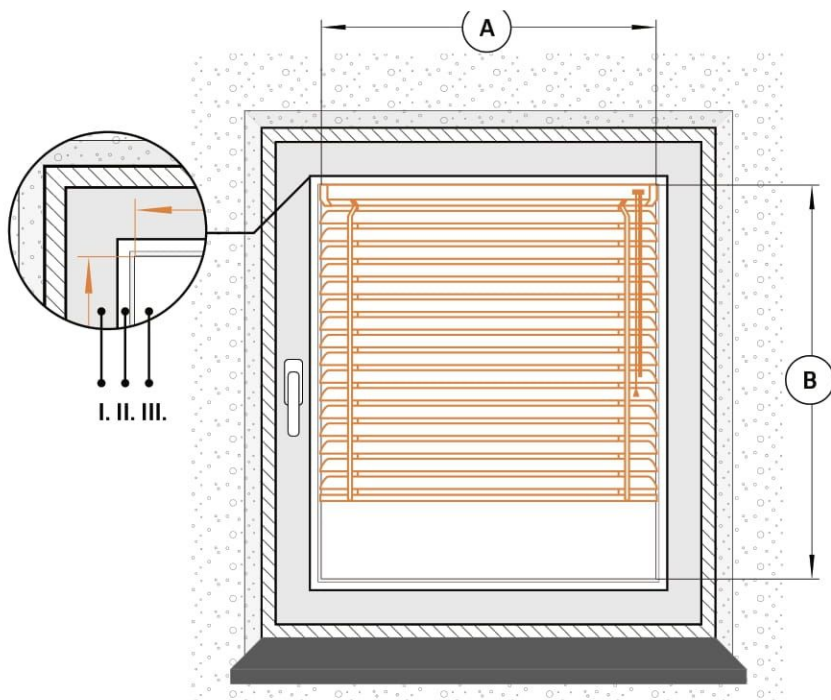
Internal Venetian Blinds

measuring instructions

Long and trouble-free operation of the window shutter depends not only on the high quality of its workmanship, but also on its correct fit and assembly. In order for the blind to fit perfectly, the selected place must be properly and carefully dimensioned

The following auxiliary drawings must be strictly adhered to.

Montage in between the glazing beads



A - WIDTH

It is the width of the glass itself

B - HEIGHT

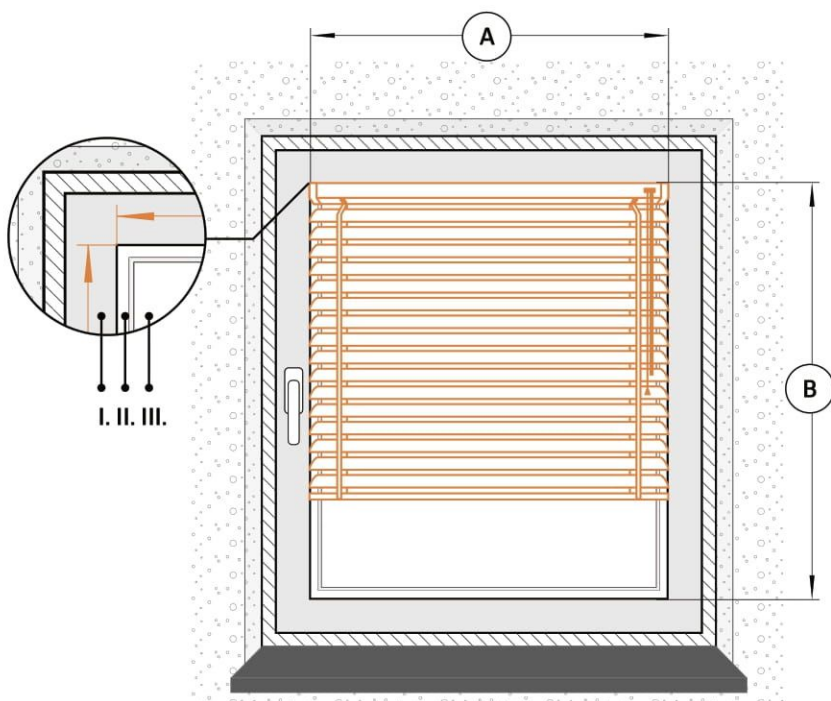
It is the height of the glass itself

I - Window frame

II - Glazing bead

III - Glass

Montage on the glazing beads



A - WIDTH

It is the width of the glass together with the glazing beads

B - HEIGHT

It is the height of the glass together with the glazing beads

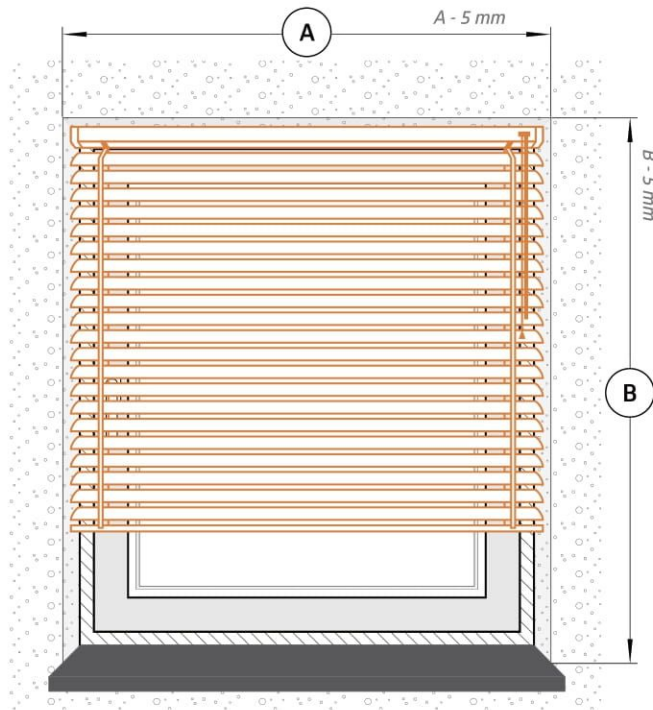
I - Window frame

II - Glazing bead

III - Glass

*We give all dimensions in millimeters

Montage inside window recess



A - WINDOW RECESS WIDTH

If the width of the recess at all points is not the same, the smallest dimension of the recess should be taken. **5mm is the distance that should be subtracted from the width of the window recess** in order to freely install the blinds.

B - WINDOW RECESS HEIGHT

If the height of the recess at all points is not the same, the smallest dimension of the recess should be taken. **5mm is the distance that should be subtracted from the width of the window recess** in order to freely install the blinds.

*The upper mechanism of the blinds is about 2cm high (if you have chosen blinds with 50mm slats, the upper mechanism will be 5cm high).

*Remember that after rolling up the blind, the height of the mechanism will increase by the thickness of the slat package, which in some cases may interfere with opening the window.

*Height of the lamellae packages can be found in the blinds description or in "helps"

A - BLIND WIDTH

B - BLIND HEIGHT

C - WINDOW RECESS WIDTH

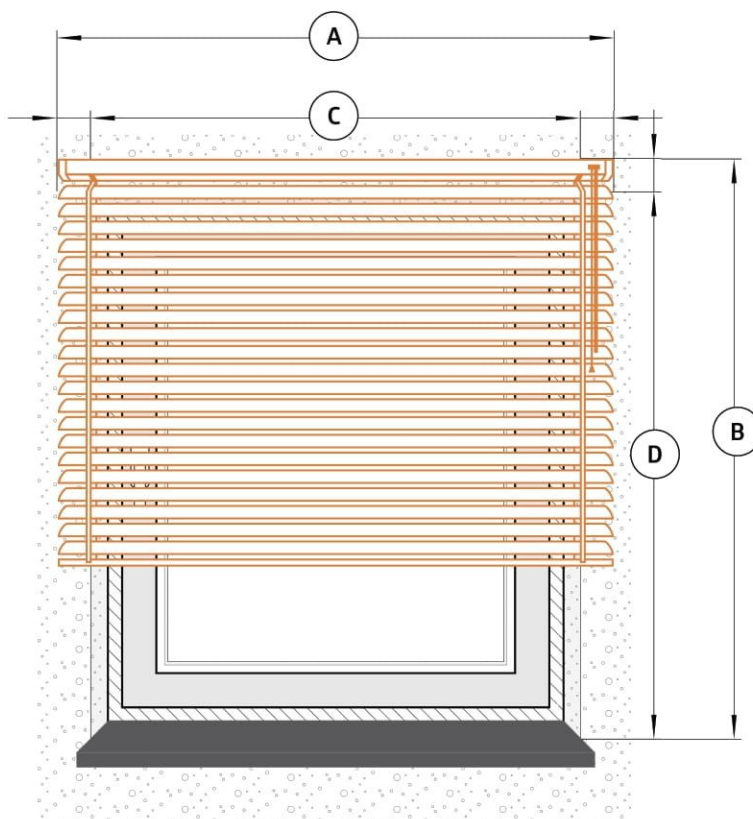
D - WINDOW RECESS HEIGHT

Use this option if you want to install blinds on the wall. We suggest that the blind be about 8-10 cm wider and 8-10 cm higher than the window recess, so that there are no gaps.

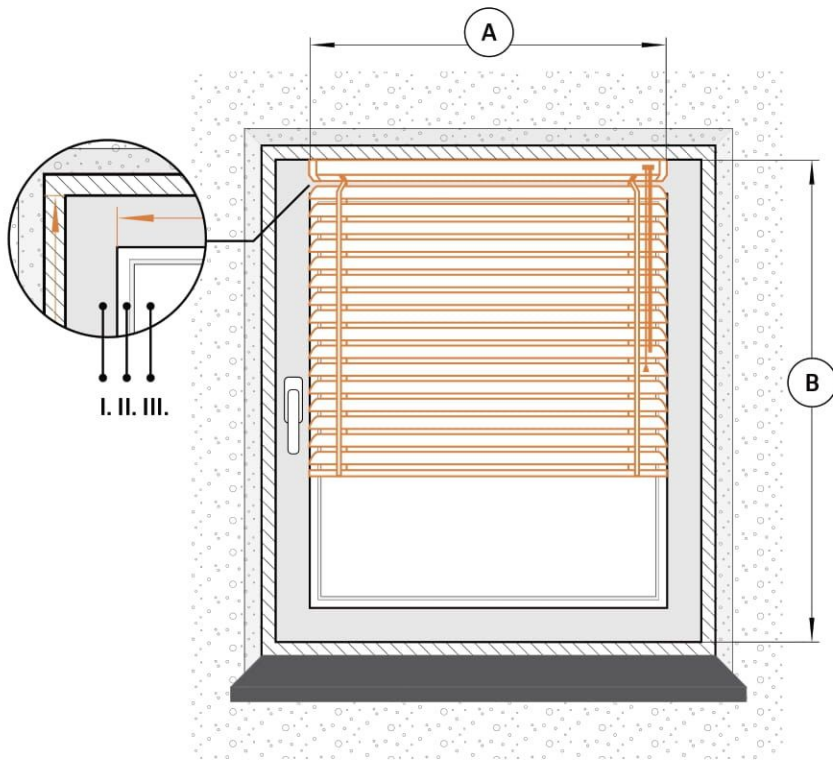
*The upper mechanism of the blinds is about 2cm high (if you have chosen blinds with 50mm slats, the upper mechanism will be 5cm high).

*We give all dimensions in millimeters

Montage to the wall



Montage non-invasive on the window sash



A - WIDTH

It is the width of the glass with the glazing beads

B - HEIGHT

It is the height of the window sash

I - Window frame

II - Glazing bead

III - Glass

*We give all dimensions in millimeters